

## **DIVISION 27 53 13.13 – WIRELESS CLOCK SYSTEMS**

---

### **Part 1 – GENERAL**

#### 1.1 DESCRIPTION & GENERAL REQUIREMENTS

- a. Wi-Fi clocks shall be provided by owner for academic classroom spaces and installed by contractor.
- b. MSU's Networking and Telecommunications department maintains the University's Wi-Fi clocks through an account with American Time and are synchronized to the University's wireless networks.
- c. Prior to order placement, coordination must occur with Networking and Telecommunications so that wireless network configuration can be submitted to American Time.

#### 1.2 PROJECT CONDITIONS

- a. Prior to Wi-Fi clock installation, wireless signals shall be tested by Networking and Telecommunications, and the signal shall be at full strength for new clock locations.
- b. Prior to order placement, verify the power requirements and the voltage preferences with Facilities Management (120V vs. 24V).
- c. After Wi-Fi clock installation is complete, testing shall be done by Networking and Telecommunications to ensure proper operation.

### **Part 2 – PRODUCTS**

#### 2.1 CLOCK MODEL

- a. Wi-Fi clocks shall be American Time Wi-Fi analog aluminum bezel with polycarbonate lens 15" surface / 16" OD.

#### 2.2 CLOCK DESIGN

- a. All Wi-Fi clocks shall include the custom MSU logo design catalogued in the MSU account maintained by American Time.
- b. Verify logo design prior to ordering clocks.

### **Part 3 – (Not Used)**

END OF SECTION 27 53 13.13



# Wi-Fi Analog Aluminum Case Electric Clocks



## GENERAL INFORMATION

- Clock hour & minute hands: ..... Black
- Clock second hand:..... Red
- Clock case:..... Aluminum
- Clock crystal:..... Polycarbonate
- Current draw:..... 120vac - 4.9 mA (max), 2.3 mA (ave - hourly sync)  
24vac - 10.2 mA (max), 9.3 mA (ave - hourly sync)  
220vac - 2.3 mA (max), 1.3 mA (ave - hourly sync)
- Input voltage range ..... 120vac/240vac (110v to 240v)  
24vac (15v to 30v)
- Plug: ..... 120vac - 10A, 125v 2-prong plug, 6 ft. cord  
24vac - 4 position Molex®
- Wi-Fi ..... 802.11n (802.11b/g compatible, 2.4 GHz only)
- Supported data rates:..... 72, 65, 43, 29, 22, 14, 7 Mbps (802.11n)  
54, 48, 36, 24, 18, 12, 9, 6 Mbps (802.11g)  
11, 5.5, 2, 1 Mbps (802.11b)
- Security protocols: ..... WEP, WPA/WPA2 and Enterprise (PEAPv0-MSCHAPv2)
- Configuration ..... Clocks are designed to be preconfigured for Plug-n-Play installation and management using the inCloud Management Portal. Clocks can also be individually configured via web page interface.
- Rear panel indicator: ..... Red, orange and green LED indicates mode status
- Antenna type: ..... Internal
- Time synchronization:..... Average time on the network is typically less than 10 seconds. Sync frequency is programmable from 1-12 hours. Staggered synchronization for unnoticeable network load with multiple clocks. Clock will display correct time within 10 minutes of applying power. Automatically adjusts for Daylight Saving Time changes.
- Time accuracy: ..... ±1 second to SNTP time server. Supports two static IP address time servers for redundancy or pool SNTP domain names.
- Warranty: ..... 3 Years

## PHYSICAL / ENVIRONMENTAL SPECIFICATIONS

- Operating temperature: ..... 41°F to 131°F
- Storage temperature:..... 41°F to 131°F
- Relative humidity: ..... 0% - 95% Non-condensing

## COMPLIANCE

- FCC Part 15 Class B
- ICES-003
- ROHS

## ORDERING INFORMATION

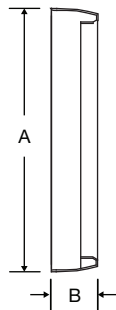
Part #	Description
WN54AGAD304	12" surface, 120vac
WN64AGAD304	15" surface, 120vac
WN54AGBD304	12" surface, 24vac
WN64AGBD304	15" surface, 24vac

MODEL # FOR TWO DIFFERENT  
OPTIONS. VERIFY WITH AMERICAN  
TIME PRIOR TO ORDER PLACEMENT.

**Note:** Other dial styles available

**Note:** Add L to the end of the Part # for personalized dial option.

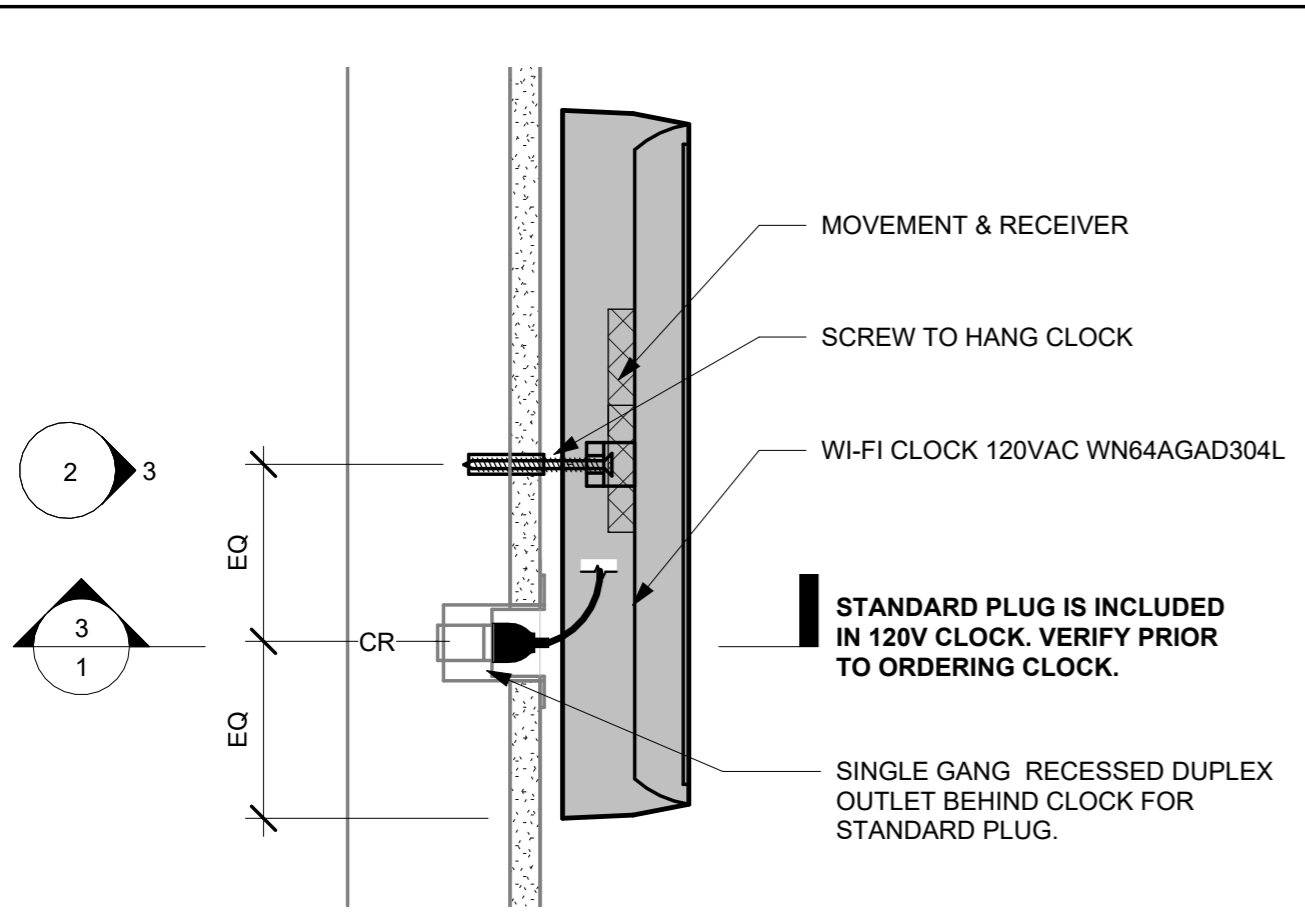
Surface



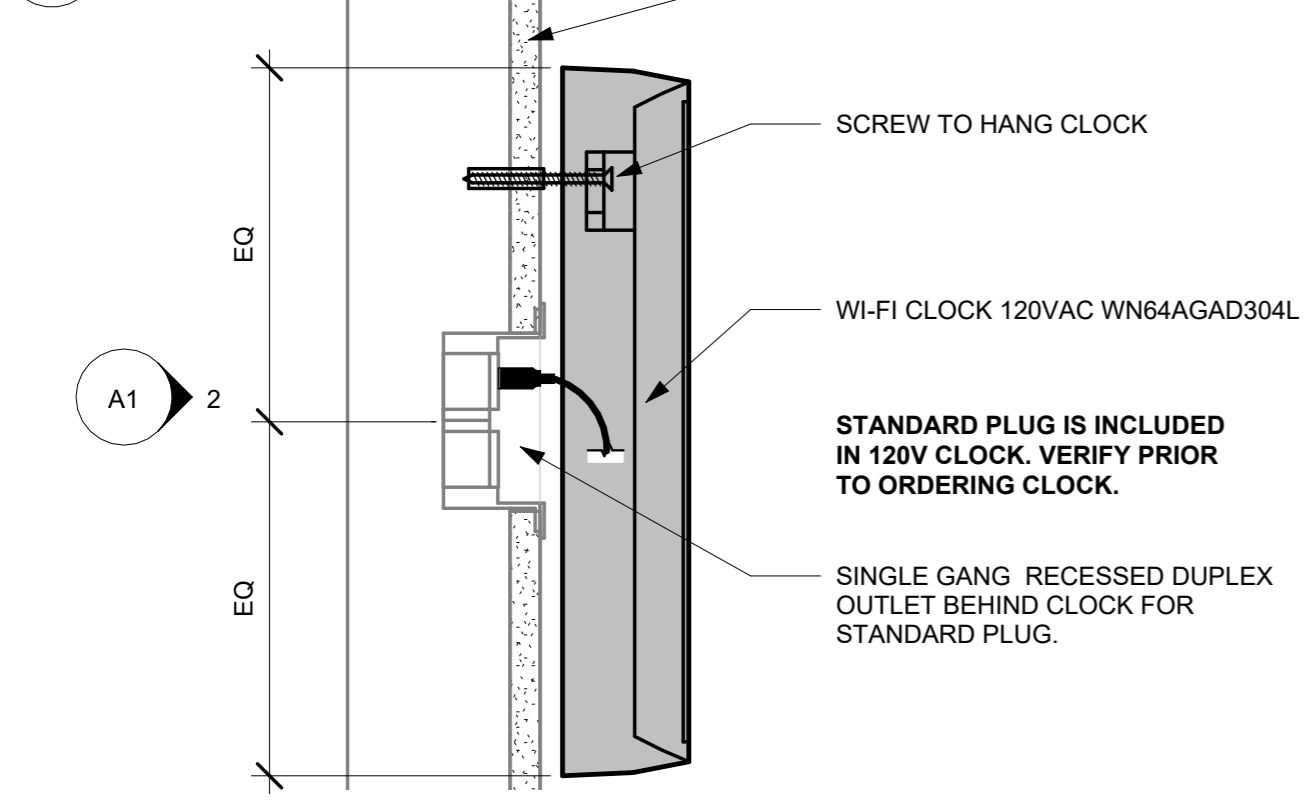
### OUTSIDE DIMENSIONS

SIZE	A	B
Surface		
12"	13 <sup>3</sup> / <sub>8</sub> "	2 <sup>5</sup> / <sub>8</sub> "
15"	16 <sup>1</sup> / <sub>4</sub> "	2 <sup>5</sup> / <sub>8</sub> "

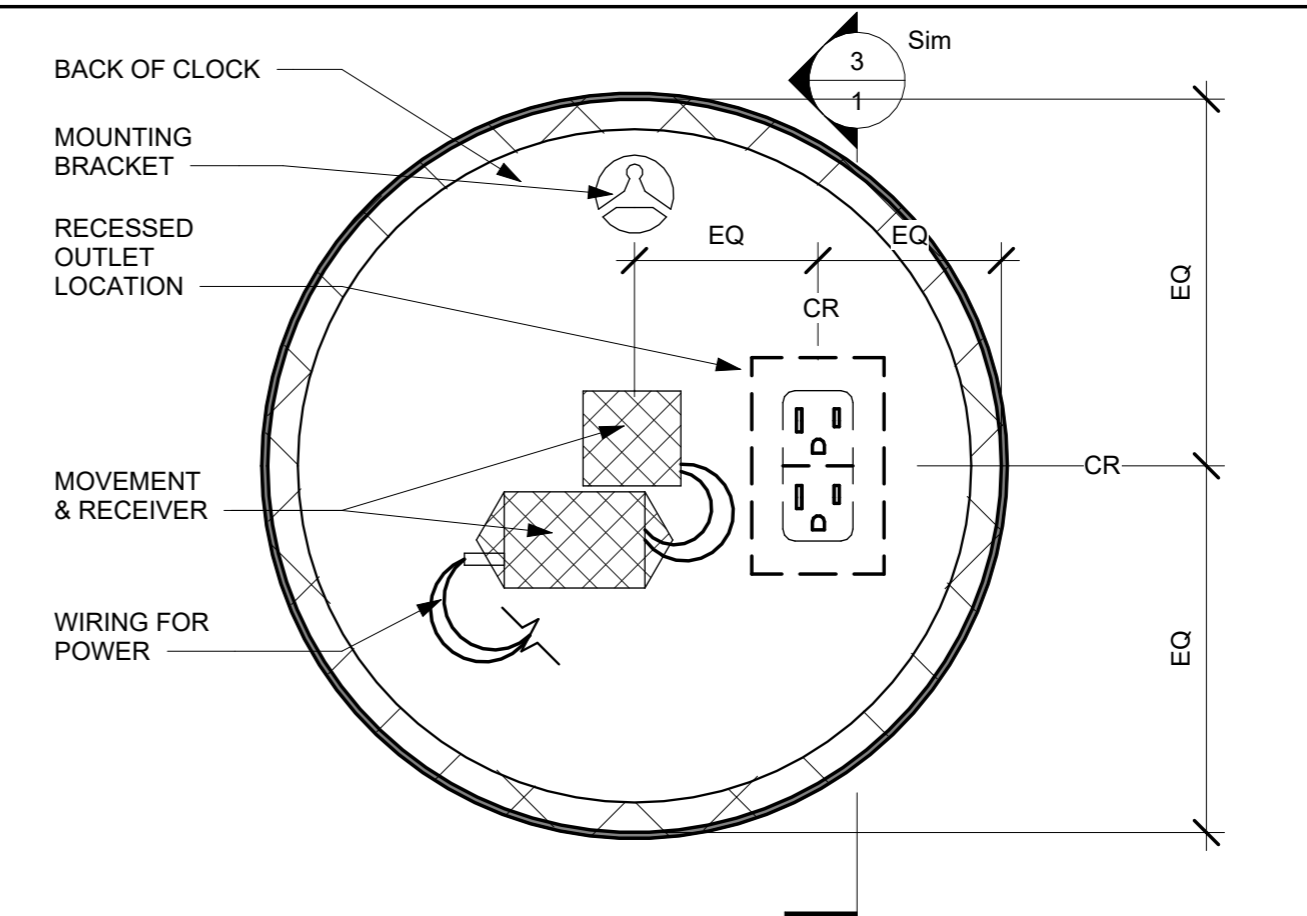
At American Time, we continually strive to improve our products to meet our customers' needs and to provide the best possible value. The above specifications are believed to be correct, are subject to change without notice and may otherwise vary from the above. Please call if you need verification of any specifications or the suitability of a particular product for a particular application. © American Time



1 PLAN VIEW - STANDARD PLUG  
1 NOT TO SCALE



3 SECTION - STANDARD PLUG  
1 NOT TO SCALE



2 ELEVATION FROM BEHIND - STANDARD PLUG  
1 NOT TO SCALE

REVISIONS		
NO.	DATE	BY

Project Title:  
**WIFI CLOCK**

Project #: **N/A**

Issue Date: **07.07.2023**

Drawn By: **YS**

Sheet Title:  
**120V STANDARD  
PLUG**

Sheet #:  
**1**

REVISIONS

NO.	DATE	BY

Project Title:

**WIFI CLOCK**

Project #: **N/A**

Issue Date: **07.07.2023**

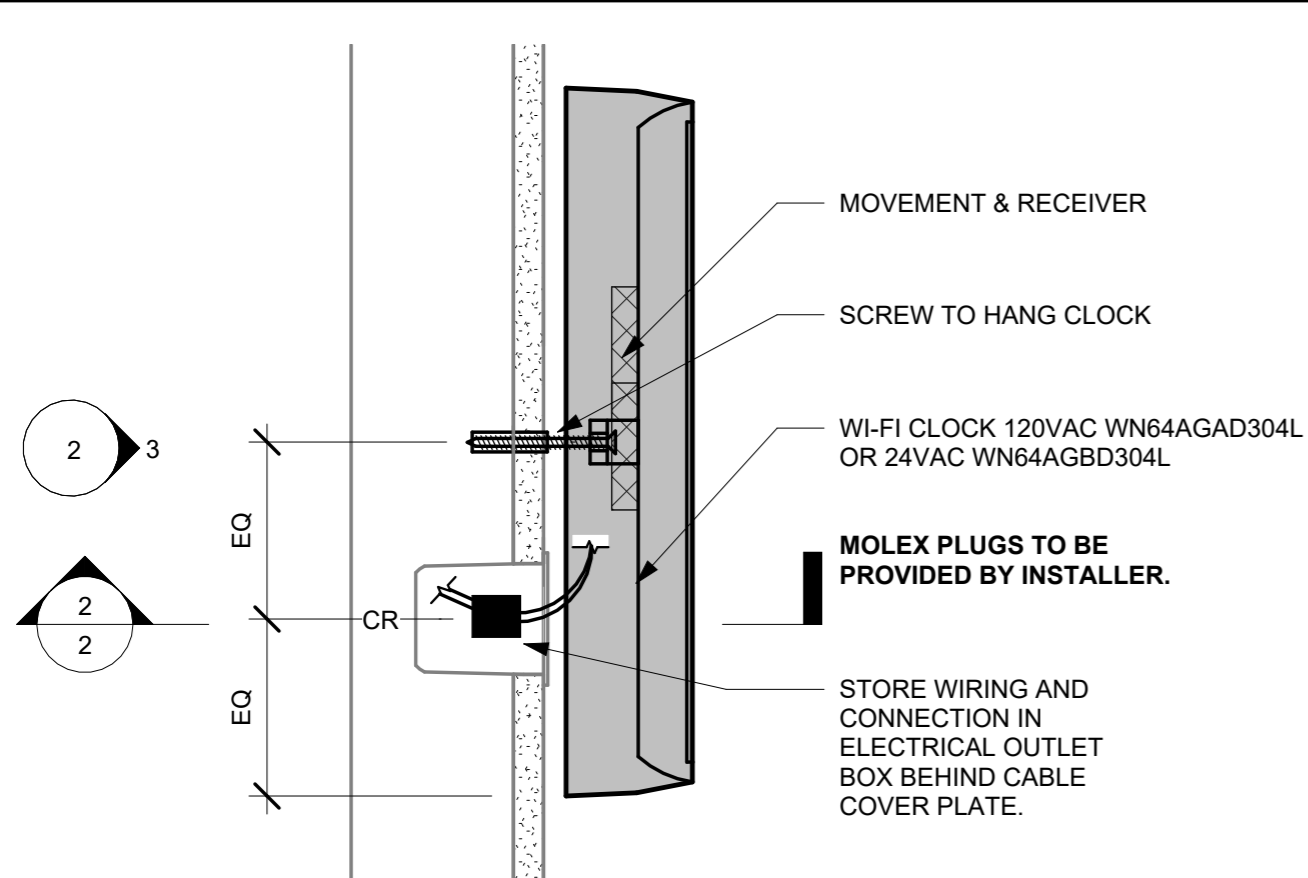
Drawn By: **YS**

Sheet Title:

**120V OR 24V  
MOLEX / HARD  
WIRED**

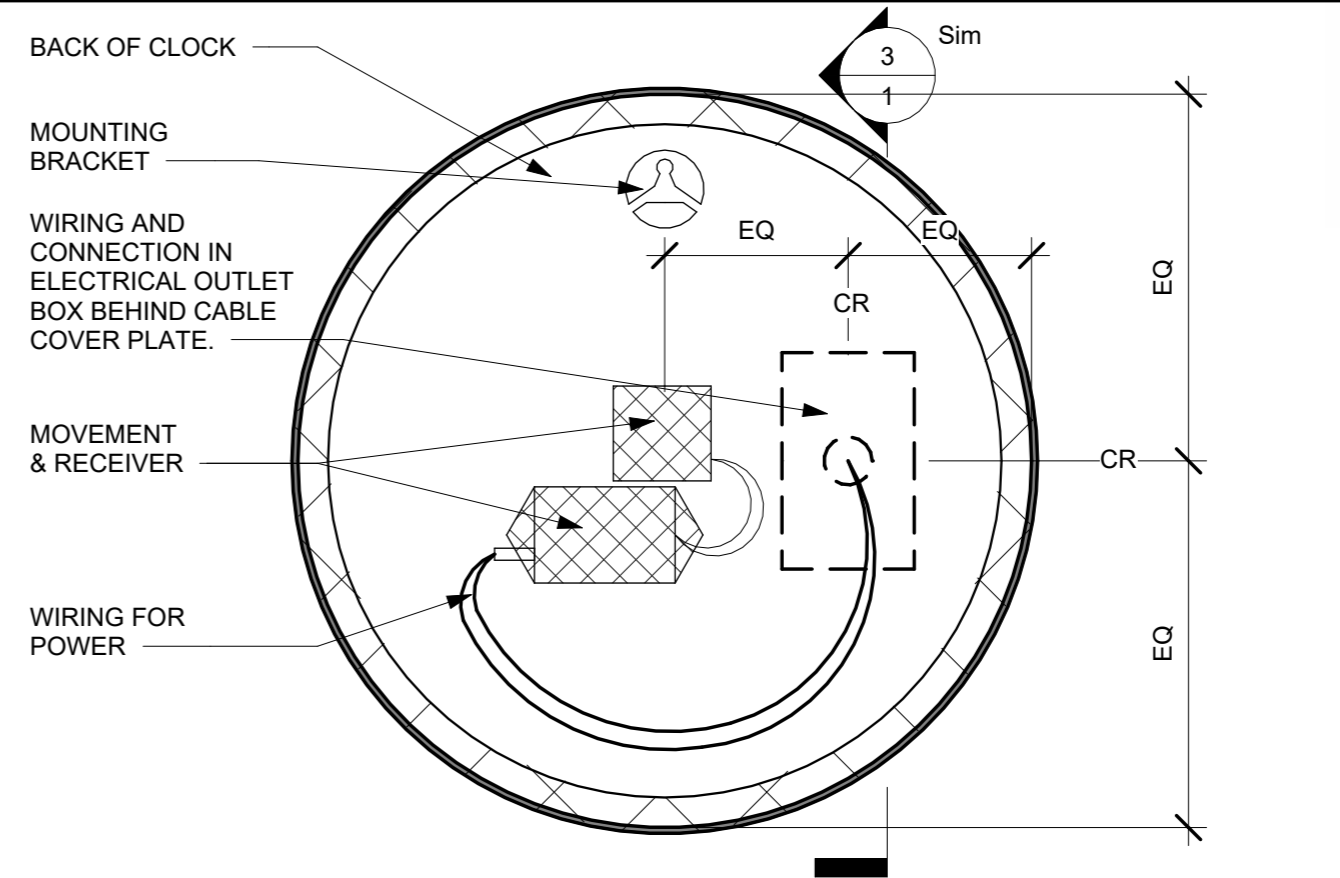
Sheet #:

**2**



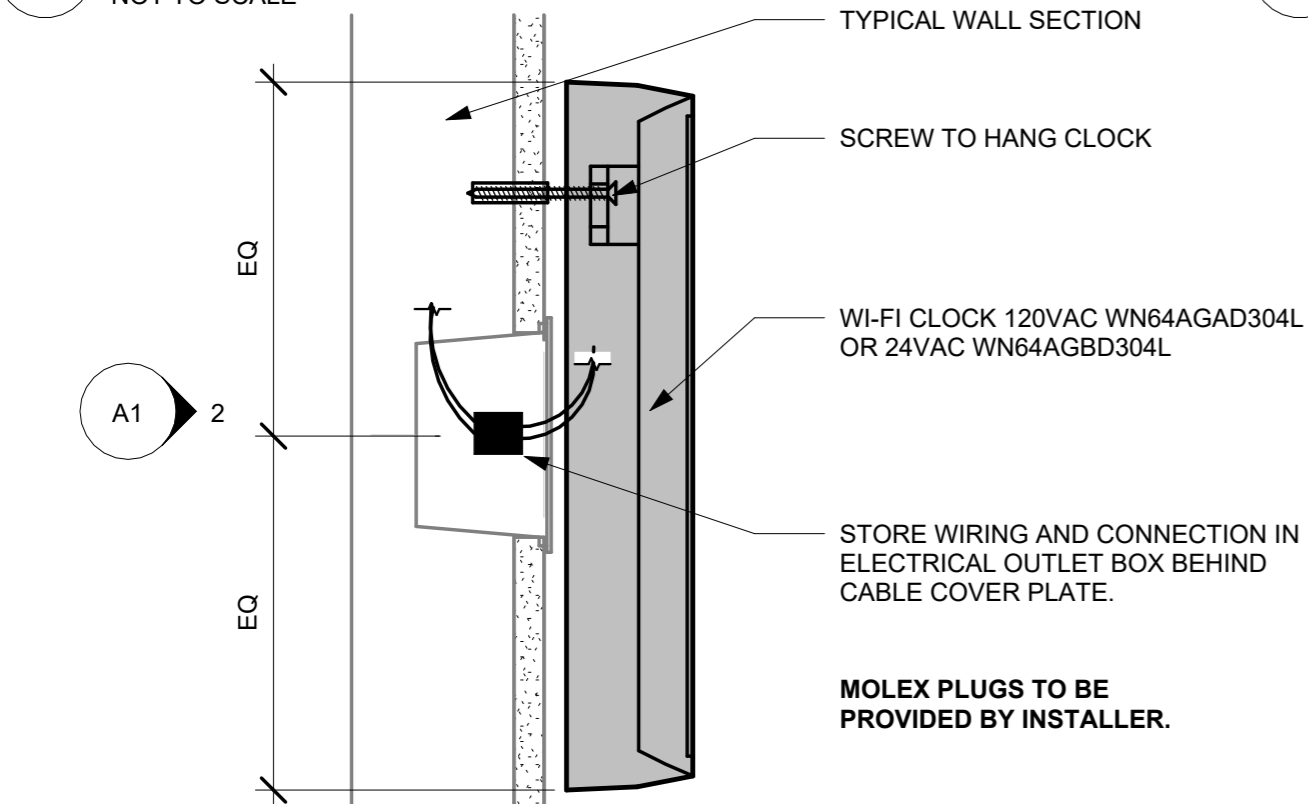
**1 PLAN VIEW - MOLEX OR HARD WIRED**

2 NOT TO SCALE



**3 ELEVATION FROM BEHIND - MOLEX OR HARD WIRED**

2 NOT TO SCALE



**2 SECTION - MOLEX OR HARD WIRED**

2 NOT TO SCALE